

V-TUF[®]



HIGH PRESSURE CLEANER OPERATOR MANUAL



Please read this manual before using the V5 High Pressure Washer

**V-TUF (EQUIPMENT BRAND OF FENCO GROUP LTD.)
WARRANTS TO THE CONSUMER THAT THIS PRODUCT WILL BE FREE OF MATERIAL OR
ASSEMBLY DEFECTS FOR 1 YEAR.**

- **Please Note: This excludes wearing parts such as hoses, turbo nozzle, pump seals and valves etc that wear out and need replacing within the normal working life of the machine.**
- **Warranty claims must be processed through the dealer from whom the machine was purchased. If you have any problems, please contact V-TUF with your proof of purchase to hand.**
- **Warranty claim will need to be validated by manufacturer's inspection.**

Please note that the machine is for light duty use and is only built to last 96 hours minimum in conformance to CE standards. If the machine has been used in a heavy use application the warranty will not apply.

The V-TUF warranty is a manufacturing cover for your domestic product. This warranty shall not apply to defects caused by:

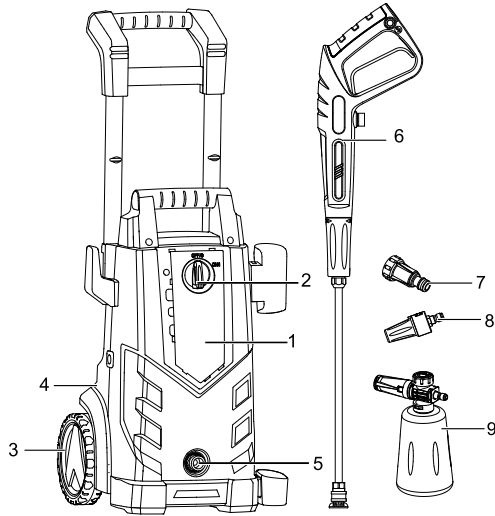
- Misuse
- Neglect
- Accidental Damage
- Improper storage
- Installation or careless handling
- Frost damage/heat damage
- Alteration not carried out or authorised by V-TUF approved supplier
- The use of incorrect supply voltage
- Contaminated water supply
- Unsuitable chemicals

FENCO GROUP Limited shall not be liable in any event at any time for any indirect or consequential loss or damage.

The rights and benefits under warranty are additional to your statutory rights which are not affected by this Warranty.

Item Description

1. High pressure washer
2. On/off switch
3. Mobile adapter bracket with wheel
4. Water outlet (reverse of machine)
5. Water inlet
6. Gun
7. Inlet Filter
8. Turbo Quick Nozzle
9. Foam Cannon



APPLICATION

The V5 Portable High-Pressure Washer is a multi-functional machine built to the exceptional standards of the V-TUF brand. Suitable for use cars, bikes and other outdoor equipment or garden patios, green houses, and brickwork, the V-TUF V5 is the ideal at home pressure washer.

Helpful Hints for Getting Started

Automatic ON/OFF:

The motor is not continuous and will only run when the trigger of the spray gun is squeezed. After following the start up procedures in this manual, turn the pressure washer ON and squeeze the trigger for activation. See "Operating Instruction" section in this manual for further details.

Bleeding the Gun:

It is very important to bleed the gun before using the pressure washer. Squeeze the trigger to allow any air that is trapped inside of the unit and hose to escape. Continue to squeeze trigger until a steady stream of water comes from the nozzle. (This process may take up to 2 minutes). See "Operating Instructions" section for this process.

Safety Regulations

WARNING: Read all the instructions before using the machine.

WARNING: The V5 pressure washer is not to be used by children. Children should be supervised to ensure that they do not play with the machine. This machine is not intended for use by persons (including children) with reduced physical, sensory or mental capabilities, or lack of experience and knowledge.

WARNING: When repairing the pressure washer the electrical supply connection shall be made by a qualified electrician and comply with IEC 60364-1. The electric supply to this machine should include either a residual current device that will interrupt the supply if the leakage current to earth exceeds 30 mA for 30 ms or a device that will prove the earth circuit.

WARNING: The machine is intended to be used at temperatures above 0 degrees Celsius.

WARNING: The operating method to be followed in the event of accident (e.g. contact with detergents: rinse with an abundance of clean water) or breakdown to prevent unsafe situations.

WARNING: This machine has been designed for use with the cleaning agent as supplied by V-TUF / FGL and we cannot guarantee that the use of other cleaning agents or chemicals may not adversely affect the condition of the machine.

WARNING: We recommend the operator wears suitable PPE for eyes and ears.

WARNING: Do not use the machine within range of persons unless they are wearing suitable protective clothing.

WARNING: Do not direct the jet against yourself or others in order to clean clothes or footwear.

WARNING: Risk of explosion -Do not spray flammable liquids.

WARNING: High pressure hoses, fittings and couplings are important for the safety of the machine. Use only hosed, fittings and couplings recommended by V-TUF.

WARNING: To ensure machine safety we suggest only using original V-TUF spare parts from the manufacturer or those suggested or approved by V-TUF.

WARNING: The machine shall be disconnected from its power source by removing the plug from the socket-outlet during cleaning or maintenance of the machine.

WARNING: Observe a distance of at least 30cm when using the jet to clean painted surfaces to avoid damaging paintwork.

WARNING: Do not use the machine if a supply cord or important parts of the machine are damaged, e.g. safety devices, high pressure hoses, trigger gun.

WARNING: If an extension cord is used, the plug and socket must be of watertight construction.

WARNING: Inadequate extension cords can be dangerous. If an extension cord is used, it shall be suitable for outdoor use, and the connection has to be kept dry and off the ground. It is recommended that this is accomplished by means of a cord reel which keeps the socket at least 60mm above the ground.

WARNING: In order to avoid a hazard due to inadvertent resetting of the thermal cut-out, this appliance must not be supplied through an external switching device, such as a timer, or connected to a circuit that is regularly switched on and off.

WARNING: The machine is not intended to be connected to portable water mains.

WARNING: Be care of the danger of the kickback force on the spray assembly when opening the trigger gun and grasp the gun with hands firmly.

WARNING: To reduce the risk of injury, close supervision is necessary when a machine is used near children. High-pressure cleaner shall not be used by children or untrained persons.

WARNING: Do not operate the machine when fatigued or under the influence of alcohol or medicines that affect reactionary responses.

WARNING: Follow the maintenance instructions specified in the manual.

WARNING: This machine must be grounded. The plug must be plugged into an appropriate outlet that is properly installed and grounded in accordance with all local codes and ordinances. The rating voltage (V/Hz) of the machine has to be in compliance with the local power supplying voltage.

WARNING: Check with a qualified electrician or service personnel if you are in doubt as to whether the outlet is properly grounded. Do not modify the plug provided with the machine. If it will not qualified the outlet, have a proper outlet installed by a qualified electrician. Do not use any type of adapter with this machine.

WARNING: To reduce the risk of electrocution, don't start and run the machine in the rain or storm. Keep all connections dry and off the ground. Do not touch plug with wet hands

WARNING: When the machine is turned on, the interior pumps start and continue to run even if the pressure wand trigger has not been depressed. Running the machine for more than 3 minutes without depressing the pressure wand trigger could cause heat damage to the motor and pumps, please do not leave the machine running unattended or unused for more than 3 minutes.

WARNING: When the machine is running, please maintain a constant water supply. Without water, circulation will damage the sealing rings of the machine.

WARNING: It is necessary to turn on the spray lance within one or two minutes after the machine has been started. Otherwise, the temperature of the circulating water within the machine will cause damage to the sealing rings inside the machine.

WARNING: This machine has been designed for only using cleaning water, do not use corrosive chemicals.

WARNING: High-pressure jets can be dangerous if subject to misuse. The jet must not be directed at persons, animals, live electrical equipment or the machine itself. Pressure washers should not be pointed at tire walls, as it may be possible to damage them.



WARNING: Do not use the machine if a supply cord or important parts are damaged, e.g. safety devices, high pressure hoses, trigger gun.

OPERATING INSTRUCTIONS

! This unit is to be connected to a cold-water source ONLY.

! The motor of this pressure washer will NOT run continuously. It will only operate when the trigger is squeezed.

Connect the outlet hose to the washer and connect the spray gun to the outlet hose.

Connect nozzle and nozzle extension.

Check gauze filter is clear of any blockage.

Connect the water supply hose.

Check that the hose has no kinks in it.

Turn on water and check for leaks.

Depress trigger to allow air to be expelled through the pump and hoses, lock trigger.

Plug in machine and turn on switch.

Unlock trigger and use the pressure washer.

SHUT DOWN

1. Turn off the motor (push switch to the off position)
2. Unplug the unit from the power source.
3. Turn off the water supply.
4. Press the trigger of the gun to depressurize the system.
5. Disconnect the garden hose from the pressure washer.
6. Wipe all surfaces of the unit with a damp clean cloth.
7. Engage the gun safety lock.

CAUTION

ALWAYS turn off the unit's motor BEFORE turning off the unit's water supply. Serious damage could occur to the motor if the unit is run without water.

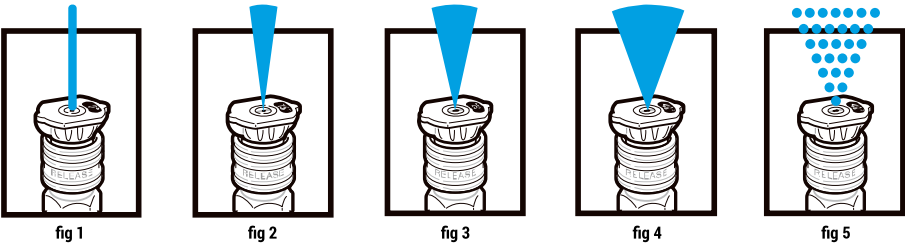
CAUTION

NEVER disconnect the high-pressure discharge hose from the machine while the system is still pressurized. To depressurize the unit, turn off the motor, turn off the water supply and squeeze the trigger 2-3 times.

SPRAY NOZZLES

The Pressure Washer comes with four spray nozzles attachments as standard. Each nozzle is colour coded and delivers a specific spray pattern and pressure for a particular cleaning job. The size of the nozzle determines the size of the fan spray and the pressure out of the nozzle.

0° Nozzle – Red: This nozzle delivers a pinpoint stream of pressurized water and is extremely powerful. It covers only a small area of cleaning. This nozzle should only be directed at surfaces that can withstand high pressure such as metal or concrete. Do not use this nozzle to clean wood. (fig 1)



15° Nozzle – Yellow : This delivers a 15 degree spray pattern for intense cleaning. This one is mainly used for cleaning cars and muddy objects. This nozzle should only be used on areas that can withstand pressure from this nozzle. (fig 2)

25° Nozzle – Green: This nozzle delivers a 25 degree spray pattern for intense cleaning of larger areas. This nozzle should only be used on areas that can withstand pressure from this nozzle. (fig 3)

40° Nozzle – White: This nozzle delivers a 40 degree spray pattern and a less powerful stream of water .This nozzle can cover a wide area and should be used for most general cleaning jobs. (fig 4)

Chemical Nozzle – Black: This nozzle is used to apply special chemicals and cleaning solutions. This nozzle produces the weakest pressure stream of the five nozzles. (fig 5) The nozzles are stored in receptacles on a panel mounted to the handle of the washer. Colours on the panel identify nozzle location and spray panel.

WATER INLET SCREEN

The water inlet filter must be inspected regularly, so as to avoid blockage and restriction in the water supply to the pump (fig 6).

USING DETERGENT

Add detergent to the container. Set the Adjustable Spray Wand at low pressure position. (fig 7). Trigger gun to spray detergent.

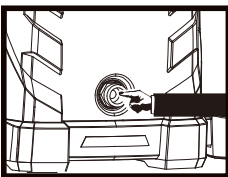


fig 6

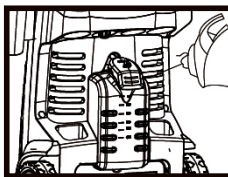
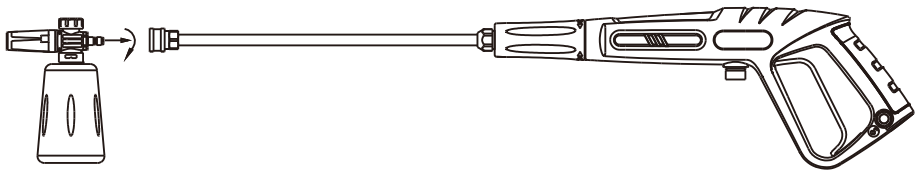


fig 7

ATTACHING SOAP DISPENSER BOTTLE

Insert metal end of the spray lance into the opening of spray gun (making sure to match the locking tabs on either side of the spray lance to the notches of the spray gun), Push in and twist in a clockwise motion to lock spray lance and spray gun together (make sure there is a tight and secure fitting between both). Insert end of soap dispenser bottle with the plastic locking tabs into opening of the spray lance. Push in, turn, and lock so the soap dispenser bottle and spray lance are firmly secure.

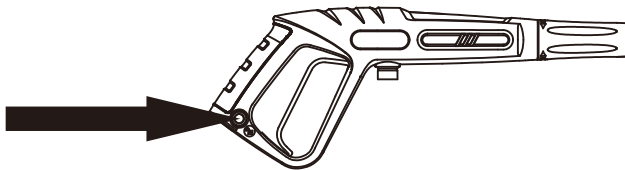


LONG TERM STORAGE

The machine should be stored in a frost-free environment. After long-term storage without operation it is possible to form scales inside the machine making it hard to start again. In such conditions it is recommended to turn off and disconnect the power supply and rotate the motor by hand several times so as to avoid excessive current draw on the motor and the power supply.

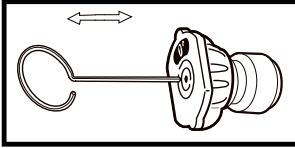
GUN SAFETY DEVICE

Whenever you use the V5 high pressure washer, we suggest you grip in the right position, with one hand on the handle and the other on the lance, When you stop the machine it is necessary to use the safety lock placed on the gun in order to avoid accidental damage.



CLEANING PIN INSTRUCTION

Using included tip cleaner insert wire into the nozzle hole and move back and forth until debris is dislodged.



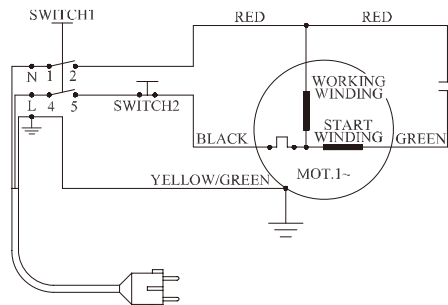
Remove additional debris by back-flushing water through the nozzle. To do this, place end of a garden hose (with water running) to the end of nozzle for 30-60 seconds.

MAJOR TECHNICAL DATA

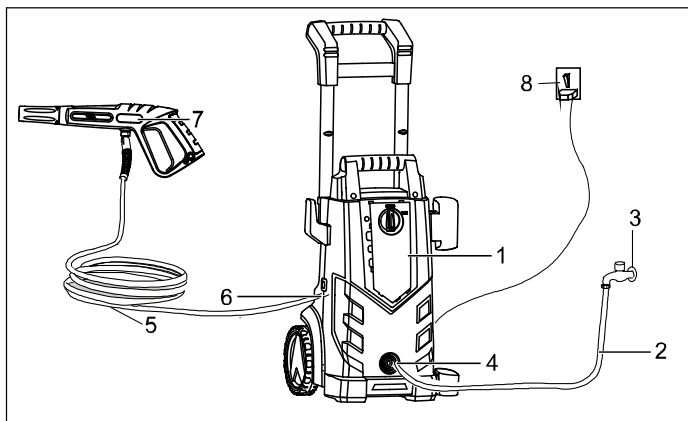
ITEM

Working pressure	11MPa(110 bar)	11MPa(110 bar)
Allowable pressure	15MPa(150 bar)	16.5MPa(165 bar)
Working flow rate	5.2 l/min	6.0 l/min
Max. flow rate	6.0 l/min	7.2 l/min
Max. pressure water supply	0.4MPa(4bar)	0.4MPa(4bar)
Motor Capacity	2100W	2100W
Power Supply Voltage	110V~50Hz	240V~50Hz
Max. Water Temperature	50°C	50°C
Weight	20 kg	20 kg
Hand-arm vibration value	m/s ² <2,3	m/s ² <2,3
Dimensions(CM)	35.5 x 34.5 x 73	35.5 x 34.5 x 73

ELECTRICAL DIAGRAM



INSTALLATION, ELECTRICAL AND WATER CONNECTIONS



1. PRESSURE CLEANER
2. WATER SUPPLY HOSE (not included)
3. WATER CONNECTION
4. WATER INLET
5. HIGH PRESSURE TUBE
6. HIGH-PRESSURE, WATER OUTLET
7. SPRAY GUN
8. POWER SUPPLY

NOTE: V-TUF continues to develop the pressure washers and reserves the right to amend machines specifications without notice.

INSPECTION & MAINTENANCE

For safe use we suggest having the machine serviced and cleaned every three-months. Before use make sure to inspect the filter and the nozzle to ensure there is no damage. After working, make sure there is no water remaining in the pump and the hose by following previous operating instructions.

If the machine requires repair in the guarantee period then please speak with the retailer regarding service options and ensure you provide the registered warranty details

For transportation safety. The machine should comply with ISTA.



Meaning of crossed -out wheeled dustbin:

Do not dispose of electrical machines as unsorted municipal waste, use separate collection facilities.

Contact your local government for information regarding the collection systems available.

When replacing old machines with new ones, the retailer is legally obligated to take back your old machine for disposals at least free of charge.

TROUBLE SHOOTING GUIDE

FAULT	PROBABLE CAUSE	REPAIR
When switched on the machine will not start working	Plug is not well connected, or electric socket is faulty	Check plug, socket
	The main voltage is insufficient, lower than minimum requirement	Check that the main voltage is adequate.
	The pump is stuck.	Refer to after storage instructions.
	Thermal safety switch has tripped	Switch off the unit and let the motor cool for a few minutes. Leave the lance open.
Fluctuating Pressure	Pump sucking air.	Check that hoses and connections are airtight.
	Valves dirty, worn out or stuck. Pump seals worn out.	Clean and replace, or refer to dealer.
Water leaking from the pump.	Seals worn out.	Check and replace, or refer to dealer.
The motor stops suddenly.	Thermal safety switch has tripped due to overheating.	Check that the main voltage corresponds to specifications. Switch off the unit and let it cool for a few minutes.
The pump doesn't reach the necessary pressure.	Water inlet filter is clogged.	Clean the water inlet filter.
	Pump sucking air from connections or hoses.	Check that all supply connections are tight
	Suction/ delivery valves are clogged or worn out.	Check that the water feeding hose is not leaking.
	Unloaded valve is stuck.	Clear or replace valves.
	Lance nozzle incorrect or worn out.	Loosen and re-tighten regulation screw. Check and/or replace

CE DECLARATION OF CONFORMITY

The undersigned: Mr Eugene Buchner as authorised by: Fenco Group Ltd declares that this declaration has been issued under the sole responsibility of the manufacturer. The object of the declaration is in conformity with the relevant Union harmonization Legislation.

Identification code: V5 – High Pressure Washer

Description: 2100W Pressure Washer



Conforms to the following directives and standards:

- Machinery Directive 2006/42/EC
- EMC Directive 2014/30/EU
- RoHS Directive 2011/65/EU Annex II and its amendment Directive (EU) 2015/863
- Outdoor Noise Directive 2000/14/EC(amended 2005/88/EC)
- EN 60335-1:2012+A11:2014+A13:2017
- EN 60335-2-79:2012
- EN 62233:2008
- EN 55014-1: 2017
- EN 55014-2:2015
- EN 61000-3-2:2014
- EN 61000-3-3:2013

Applied Conformity Evaluation Method

2000/14/EC: Annex III

Sound Power Level dB (A)

Measured: 92

Guaranteed: 96

Notified body: SGSThe technical documentation is kept by: Fenco Group Ltd

Date: 20/08/2019

Signed:

A handwritten signature in blue ink, appearing to read 'Eugene Buchner', written over a horizontal line.

Mr Eugene Buchner

Managing Director

Name and address of the manufacturer:

Fenco Group Ltd, Unit 5 Chris Sharp Building

Till Bridge Lane, Scampton, LINCOLN LN1 2SX