

V-TUF[®]



STACK VAC HSV 110 & 240

30L M-CLASS WET AND DRY WITH
SYNCHRONISED EXTRACTION FOR POWER TOOLS

OPERATOR MANUAL



Please read this manual before using the STACK VAC HSV

Dear Customer

Thank you for purchasing this product, we hope you enjoy many years of creative and productive use.

Please read these instructions before use.

Definitions: Safety Guidelines

The definitions below describe the level of severity for each signal word. Please read the manual and pay attention to these symbols.

The following symbols are used throughout this manual:



WARNING: indicates a potentially hazardous situation which, if not avoided, **could** result in **death or serious injury**.



CAUTION: Indicates a potentially hazardous situation which, if not avoided, may result in **minor or moderate** injury.

NOTICE: Indicates a practice **not related** to **personal injury** which, if not avoided, **may** result in **property damage**.



Denotes risk of electric shock.



Denotes risk of fire.

VACUUM CLEANER TECHNICAL DATA

| | | | |
|---|------------------|-----------------|--------------------|
| Voltage | | V _{AC} | 110 |
| | | V _{AC} | 220-240 |
| Power input | 230V | W | 1400 |
| | 110V | W | 800 |
| Frequency | | Hz | 50 |
| Auto-start | 230V max. | W | 2200 |
| | 110V max. | W | 1000 |
| | min. | W | 50 |
| Protective class | | | IPX4 |
| Flow rate | | l/s | 70 |
| Max. vacuum | | mbar | 270 |
| Filter surface | HEPA | cmq | 2600 |
| | Pre-filter | cmq | 1400 |
| Negative pressure | | K _{PA} | 21 |
| Dust category | | | M |
| Collection bag contents | | L | 24.5 |
| Container | Dry | L | 27 |
| | Wet | L | 16 |
| Noise | | dB | 75 |
| Hose | Length | m | 5 |
| | Outside diameter | mm | 39 |
| Dimensions | | mm | 350 x 390 x 610 |
| Weight | | kg | 7.5 |
| L _{PA} (emission sound pressure level) | | dB(A) | 75 |
| K _{PA} (uncertainty for the given sound level) | | dB(A) | 1.5 |
| L _{WA} (sound power level) | | dB(A) | 89 |
| K _{WA} (uncertainty for the given sound level) | | dB(A) | 1.5 |

INTENDED USE

This machine is intended for collection, vacuuming, conveying and separation of non-flammable dry dusts and non-flammable liquids and water-air mixtures. This dust category class M vacuum cleaner is for professional use and is suited for trades and workshops.

According to IEC/EN 60335-2-69, vacuum of dust category M may only be used for vacuuming and extraction of hazardous dusts with an exposition limit value $\geq 0.1 \text{ mg/m}^3$. Use vacuum cleaner only when you fully understand and can perform all functions without limitation, or have received appropriate instruction.

This appliance is suitable for commercial use, for example in hotels, schools, factories, shops and offices.

The appliance is intended for use as a wet and dry vacuum cleaner.

DO NOT let children come into contact with this appliance. Supervision is required when inexperienced operators use this appliance.

RESTRICTION OF USE

DO NOT use vacuum cleaner for combustible dust.

DO NOT use vacuum cleaner in explosive atmospheres.

This product is not intended for use by persons (including children) suffering from diminished physical, sensory or mental abilities; lack of experience, knowledge or skills unless they are supervised by a person responsible for their safety. Children should never be left alone with this product.



**WARNING: Ensure all filters are fitted.
Do not overload suction.
Clean filters daily.
Do not over fill bag.**



WARNING: For some tools with a wired in work light function, the auto start may require manual intervention.

SAFETY

WARNING:

Observe the safety regulations in the instruction manual of the power tool to be used. Please read the following instructions carefully. Failure to do so could lead to serious injury. When using electric tools, basic safety precautions, including the following should always be followed to reduce the risk of fire, electric shock and personal injury. Also observe any applicable additional safety rules. Read the following safety instructions before attempting to operate this product.

IMPORTANT NOTE:

Residual Risk. Although the safety instructions and operating manuals for our tools contain extensive instructions on safe working with power tools, every power tool involves a certain residual risk which cannot be completely excluded by safety mechanisms. Power tools must therefore always be operated with caution!

General

1. Disconnect power tool and attachment from power supply when not in use, before servicing, when making adjustments and when changing accessories such as cutters. Ensure switch is in "off" position. Always ensure cutter has stopped rotating.
2. Always mount the power tool, accessory or attachment in conformity with the instructions. Only use attachment and accessories specified in the power tool manual. The tool or attachment should not be modified or used for any application other than that for which it was designed. Do not force tool.
3. Keep children and visitors away. Do not let children or visitors touch the tool, accessory or attachment. Keep children and visitors away from work area. Make the workshop child proof with padlock and master switch.
4. Dress properly. Do not wear loose clothing or jewellery, they can be caught in moving parts. Rubber gloves and non-skid footwear is recommended when working outdoors. Wear protective hair covering to contain long hair.

5. Consider working environment. Do not use the product in the rain or in a damp environment. Keep work area well lit. Do not use power tools near gasoline or flammable liquids. Keep workshop at a comfortable temperature so your hands are not cold. Connect machines that are used in the open via a residual current device (RCD) with an actuation current of 30 mA maximum. Use only extension cables that are approved for outdoor use.
6. The accessory or attachment must be kept level and stable at all times.
7. Keep work area clean. Cluttered workshops and benches can cause injuries. Ensure there is sufficient room to work safely.
8. Secure idle tools. When not in use, tools should be stored in a dry and high or locked up place, out of reach of children.
9. For best control and safety use both hands on the power tool and attachment. Keep both hands away from cutting area. Always wait for the spindle and cutter to stop rotating before making any adjustments.
10. Always keep guards in place and in good working order.
11. Remove any nails, staples and other metal parts from the workpiece.
12. Maintain tools and cutters with care. Keep cutters sharp and clean for better and safer performance. Do not use damaged cutters. Follow instructions for lubricating and changing accessories. Keep handles dry, clean and free from oil and grease.
13. Maintain accessories. Do not use damaged accessories. Only use accessories recommended by the manufacturer.
14. Check damaged parts. Before operation inspect the attachment, the power tool, the cable, extension cable and the plug carefully for signs of damage. Check for alignment of moving parts, binding, breakage, mounting and any other conditions that may effect its operation. Have any damage repaired by an Authorised Service Agent before using the tool or accessory. Protect tools from impact and shock.
15. Do not use tool if switch does not turn it on or off. Have defective switches replaced by an Authorised Service Agent.
16. Don't over reach. Keep proper footing and balance at all times. Do not use awkward or uncomfortable hand positions.
17. Don't abuse the cable. Never carry power tool or accessory by cord or pull it to disconnect from the socket.

Keep cord from heat, oil and sharp edges. Always trail the power cord away from the work area.

18. Connect dust extraction equipment. If devices are provided for the connection of dust extraction and collection facilities, ensure these are connected and properly used.
19. Check all fixing and fastening nuts, bolts and screws on power tool, attachment and cutting tools before use to ensure they are tight and secure. Periodically check when machining over long periods.
20. Stay alert. Watch what you are doing. Use common sense. Do not operate tools when you are tired, under the influence of drugs or alcohol.
21. Personal Protective Equipment (PPE) for eye, ear and respiratory protection must be worn.
22. Do not leave tools running unattended. Do not leave tool until it comes to a complete stop.
23. Always clamp workpiece being machined securely.
24. Only use cutting tools for woodworking that meet EN847-1/2 safety standards, and any subsequent amendments.
25. Vibration levels. Hand held power tools produce different vibration levels.

VACUUM CLEANING SAFETY

Important Safety Instructions



WARNING! Read all safety warnings and all instructions. Failure to follow the warnings and instructions may result in electric shock, fire and/or serious injury.

SAVE ALL WARNINGS AND INSTRUCTIONS FOR FUTURE REFERENCE.

BEFORE USING THE APPLIANCE, READ AND FOLLOW ALL INSTRUCTIONS.



WARNING: Operators should be adequately instructed on the use of these machines.



WARNING: To reduce the risk of electric shock. Do not expose to rain. Store indoors.

- Components used for packaging (e.g. plastic bags) can be dangerous, keep away from children and animals.
- Operators should be adequately instructed on the use of this machine.
- Before use, operators shall be provided with information, instruction and training for the use of the machine and the substances for which it is to be used, including the safe method of removal and disposal of the material collected.
- Operators should observe any safety regulations appropriate to the materials being handled.
- Never leave the equipment unattended whilst in use. Do not leave the appliance when it is connected to a power source. Unplug it from outlet when not in use and before servicing. Turn off all controls before unplugging appliance.
- The appliance is not to be used by children or persons with reduced physical, sensory or mental capabilities, or lack of experience and knowledge, unless they have been given supervision or instruction.
- Children should not play with the appliance, it is not a toy.
- Use this appliance only as described in the manual.
- The use of this machine for anything not specified in this manual may be dangerous and must be avoided.
- Only use the socket outlet on the appliance for purposes specified in the instruction manual.
- Always check the appliance before use.
- The suction nozzle should be kept away from the body, especially delicate areas such as eyes, ears and mouth.
- Do not unplug this appliance by pulling on the power cord. To unplug, grasp the plug, not the power cord.
- Do not pull or carry this appliance by the power cord. Do not use the power cord as a handle, close a door on the power cord, or pull the power cord around sharp edges or corners. Do not run the appliance over the power cord. Keep power cord away from heated surfaces.
- Do not handle the plug or appliance or grasp power cord with wet hands.
- Do not put any objects into the openings of the appliance. Do not use the appliance with any opening blocked. Keep openings free of dust, lint, hair and anything else that may reduce airflow and cause a blockage.
- Keep hair, loose clothing, fingers, and all body parts away from the openings and moving parts of the appliance.
- Static shocks are possible in dry areas or when the relative humidity of the air is low. This is only temporary and does not affect the use of the vacuum. To reduce the frequency of static shocks, add moisture to the air with a console or installed humidifier.
- To avoid spontaneous combustion, empty canister after each use.
- Take extra care if cleaning on stairs.
- The equipment should be correctly assembled before use.
- Ensure that power sockets used are correct for the machine.
- Check that voltage indicated on the rating plate is the same as the supply voltage.

- These machines are not suitable for vacuuming health endangering dusts or inflammable/explosive substance (like ash and soot).
- Never carry out any maintenance on the machine without first disconnecting from the mains supply or when is left unattended or reachable by children or disables.
- The machine should never be immersed and never use water jet against the appliance to clean it.
- When using the machine in wet rooms (e.g. in the bathroom only connect it to sockets which are connected in series with a ground fault circuit interrupter. In case of doubts, consult an electrician.
- Periodically examine the power cord and machine for damage. If any damage is found, do not use the appliance but contact your service centre for repair.
- If the power supply cord is damaged, it must be replaced by the manufacturer, its service centres or similarly qualified people in order to avoid a hazard.
- If an extension cord is used, the plug and socket must be of watertight construction.
- Before vacuuming liquids, check the float functions correctly. When vacuuming liquids, and when the tank is full, a float closes suction opening, and the vacuum operation is interrupted. Then switch off the machine, disconnect the plug and empty the tank. Regularly clean the water level limiting device (float) and examine it for signs of damages.
- If the machine overturns, it would be recommended to stand it up before switching off.
- If foam or liquid escape from the appliance, switch off immediately.
- The equipment should not be used to vacuum water from containers, lavatories, tubs, etc.
- Before emptying the tank, switch off the machine and disconnect the plug from the power outlet.
- Aggressive solvents or detergents should not be used.
- Service and repairs must be carried out by qualified personnel only. Only use Trend original spare parts for service repair.

- The manufacturer cannot be held responsible for any damage/injury caused to persons, animals or property caused by misuse of the appliance.
- Use only original spare parts.

SAVE THESE INSTRUCTIONS

Additional Safety Rules



WARNING: This appliance contains harmful dust. The emptying and maintenance, including the removal of the collection bag, may only be executed by trained personnel wearing suitable protection equipment. Do not switch on until the complete filter system has been installed. Otherwise there is danger to your own health.

- Do not pick up anything that is burning or smoking, such as hot ashes, matches or cigarettes.
- Do not use to vacuum combustible explosive materials, such as grain, coal or other finely divided combustible material.
- Do not use to vacuum hazardous, toxic or carcinogenic materials, such as asbestos or pesticide.
- Never pick up explosive liquids (e.g. paint thinner, gasoline, diesel fuel, heating oil etc.), acids or solvents.
- Do not use vacuum without filters in place, except as explained in the Wet Vacuuming section of this manual.
- Some woods contain preservatives which can be toxic. Take extra care to prevent inhalation and skin contact when working with these materials. Request and follow any safety information available from the supplier of the materials.
- Do not use vacuum cleaner as a seat, ladder or stepladder.
- Do not place heavy objects on vacuum cleaner.
- Do not hang the vacuum cleaner eg for transporting purposes.

EC DECLARATION OF CONFORMITY MACHINERY DIRECTIVE



VACUUM CLEANER

V-TUF declares that the product described under Technical Data is in compliance with 2006/42/EC.

This product also complies with Directives 2014/35/EU, 2014/30/EU, 2011/65/EU and the following harmonised standards EN 60335-1, EN 60335-2-2, EN 60335-2-69, EN 62233:2008, EN 55014-1:2006+A1:2009+A2:2011, EN 55014-2:2015, EN 61000-3-2:2014, EN 61000-3-3:2013.

For more information please visit:

www.v-tuf.com

or email: enquiries@v-tuf.com

RESIDUAL RISKS

In spite of the application of the relevant safety regulations and implementation of safety devices, certain residual risks cannot be avoided.

These are:-

- Impairment of hearing.
- Risk of personal injury due to flying particles.
- Risk of burns due to accessories becoming hot during operation.
- Risk of personal injury due to prolonged use.

MARKINGS ON TOOL

The following pictures are shown on the appliance.

Read instruction manual before use.



WARNING: This appliance contains harmful dust. The emptying and maintenance, including the removal of the collection bag, may only be executed by trained personnel wearing suitable protection equipment. Do not switch on until the complete filter system has been installed. Otherwise there is a danger to your own health.



Class M vacuum cleaners are suitable to vacuum dry, non-combustible dusts with workplace limit values of $\geq 0.1 \text{ mg/m}^3$.



WARNING: The vacuum cleaner contains materials that are hazardous to one's health. Have the emptying and maintenance, including the disposal of dust-collection containers, carried out only by specialists.

Appropriate protective equipment is required. Do not operate the vacuum cleaner without the complete filter system. Otherwise there is danger to your own health.

Date Code Position

The date code, which includes the year of manufacture, is printed on the rating plate that can be found on the appliance top housing.

ITEMS ENCLOSED

- 1 x Cartridge Filter HEPA
- 2 x Castors
- 10 x Collection Bag
- 2 x Main Wheels
- 1 x Hose 5m x 39mm Ø with Hose Spout
- 2 x Extension Tubes
- 1 x Hose Handle with Air Control Valve
- 1 x Universal Spout
- 1 x Spout Insert Brush
- 1 x Spout Insert Wiper
- 1 x Power Tool Adaptor
- 1 x Crevice Tool
- 1 x Round Brush
- 1 x Polyurethane foam filter
- 1 x Manual

- Check for damage to the tool, parts or accessories which may have occurred during transport.
- Take the time to thoroughly read and understand this manual prior to operation.

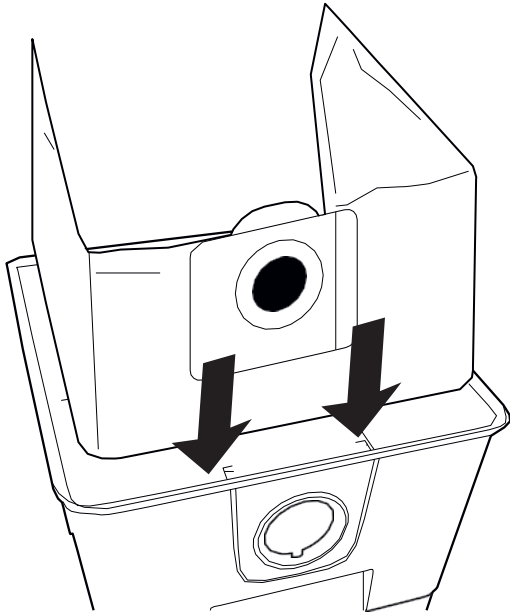


WARNING: Never modify the appliance or any part of it. Damage or personal injury could result.

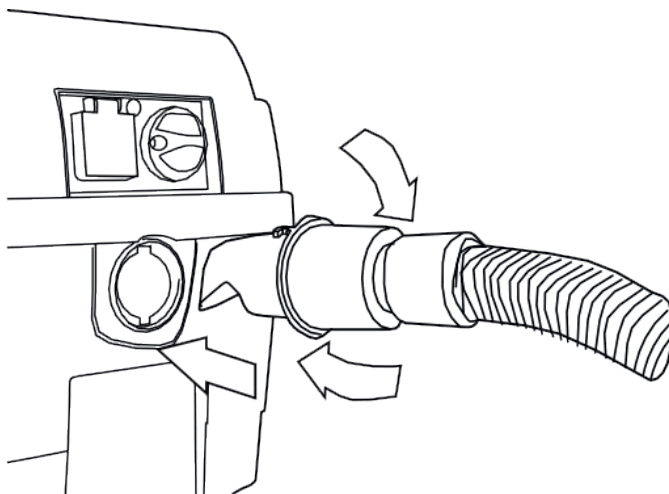
ASSEMBLY

Inserting and Removing the Collection Bag

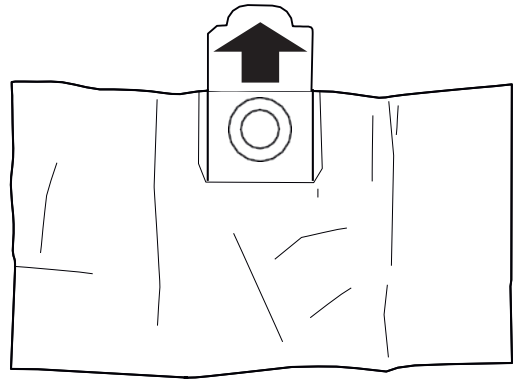
- Unlock the container catches and remove the lid.
- Fit collection bag by ensuring the bag cardboard flange are inserted with the appropriate grooves in the container.



Insert the container hose deflecting bayonet with hose bayonet cap into the inlet and turn clockwise until locked.



To remove bag undo the container hose deflector with hose bayonet cap by turning anti-clockwise and remove. Slide up collection bag. Close the bag by sliding the tab.



Dispose of the filter in a suitable container according to the applicable laws.

It is good practice however, to change the bag regularly to guarantee optimal cooling of the motor.

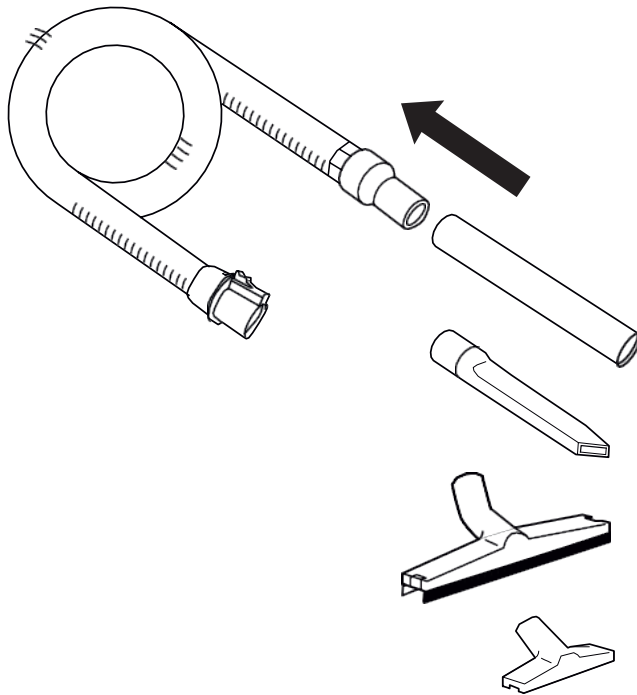
If the vacuum cleaner is used without the paper dust bag, it is recommended that the dust container be emptied and cleaned after each use; this procedure is also recommended following the suction of any type liquid.



The collection bag must be replaced when the airflow indicator light remains on.

Mounting the Hose, Nozzles and Tubes

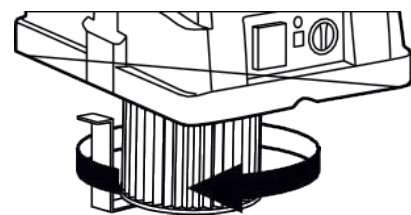
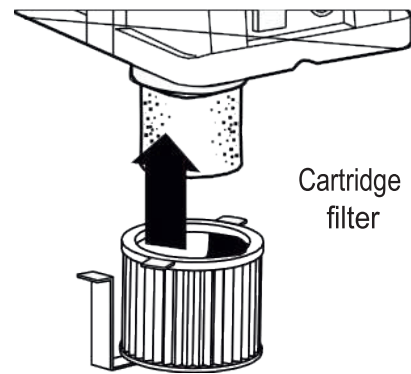
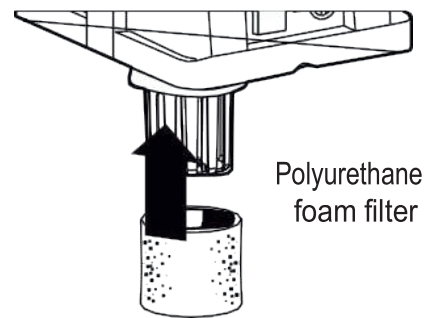
- Connect the hose to the container by pushing the container deflector with hose bayonet cap into the container hose inlet. To remove hose, turn container deflector with hose bayonet cap anti-clockwise on the inlet.
- The spouts are a push fit on the extension tubes. To remove the spouts, turn the parts in the opposite direction and pull apart.
- For carpets use the universal spout.
- For floors, clip the brush spout insert into the universal spout.
- For fluids, clip the wiper spout insert into the universal spout.



Fitting/Removing Cartridge Filter

The filter cartridge has to be completely pushed in and is secured by turning the filter cartridge cap. Check that it fits correctly.

In order to remove the cartridge filter turn the cap anti-clockwise and withdraw the cartridge filter.



Before using the appliance always check that all the filters provided are in the correct position.

Fit the cartridge filter in place under the lid and the polyurethane foam filter around the float cage.

OPERATION

Starting Operation

Observe correct mains voltage! The voltage of the power source must agree with the voltage specified on the nameplate of the vacuum cleaner. Equipment marked with 230V can also be operated with 220V..


- The machine must be always kept on horizontal bases, in a safe and stable way.
- Insert the suitable filters for the proper use.
- Never use the appliance without the filters.
- Use the most suitable accessories for the requested usage.

The vacuum cleaner may generally not be used in rooms where the danger of an explosion exists. To save energy, only switch the vacuum cleaner on when using it.

Dry Vacuuming

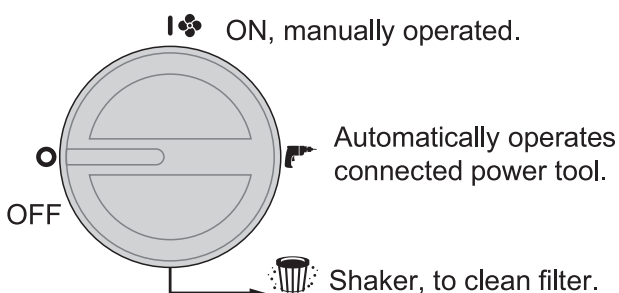


Never use the appliance without the polyurethane foam filter, cartridge filter or the collection bag.

- Empty the container and dispose of any liquid, which may have been picked up previously.
- Fit the polyurethane foam filter.
- Fit the cartridge filter over the float cage and lock in position using the filter cap.
- To switch the vacuum cleaner on, ensure auto-start switch dial is set to  (I).
- To switch the vacuum cleaner off, set the on/off switch dial to (0) OFF.



There will be delay on the powertool auto start.

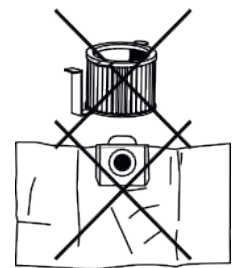
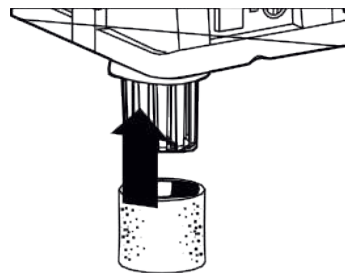



Wet Vacuuming

Do not vacuum flammable or explosive fluids; for example, benzene, oil, alcohol, solvents. Do not vacuum hot or burning dust. Do not operate the machine in rooms where the danger of an explosion exists. The dusts, vapours or fluids can ignite or explode. The vacuum cleaner may not be used as a water pump. The vacuum cleaner is intended for vacuuming air and water mixtures. Before any work on the vacuum cleaner itself, pull the mains plug.

NOTE: The requirements for the ingress degree (dust category M) have only been proven for dry vacuuming.

- Remove the collection bag and cartridge filter, empty the container and fit the polyurethane foam filter before wet vacuuming.
- Fit the polyurethane foam filter around the float cage.



- To switch the vacuum cleaner on, ensure auto-start switch dial is set to  ON.
- To switch the vacuum cleaner off, set the on/off switch to (0) OFF and disconnect from power supply.



WARNING: DO NOT connect power tools to outlet (when using the vacuum for wet pick up.

Plug vacuum into residual current device (RCD) protected outlet when using the vacuum for wet pick up. If foam or liquid escapes from the machine, switch off immediately.

When the fluid has reached the highest permitted level in the container, the float regulator automatically blocks the suction and the motor pitch will change: switch off the vacuum cleaner immediately pull out the plug, remove the suction head from the container and empty the container.

To empty container:-

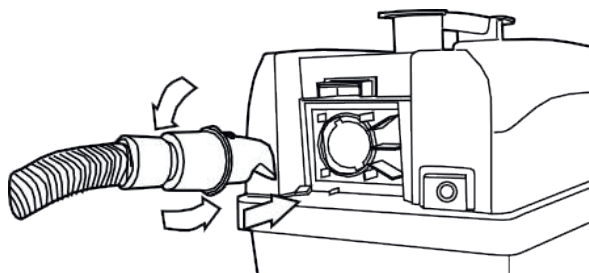
- Turn off vacuum and unplug power cable from outlet.
- Unlatch container catches and remove lid.
- Empty contents of container into a suitable container or drain.
- Refit lid and lock catches.

Blower Function



CAUTION: Function not usable if the appliance is used to dry vacuum harmful dust.

Remove the air outlet grid along with the HEPA filter by pressing gently on the closure tab. Remove the hose from the inlet and then insert the container deflector, with hose bayonet cap and hose, into the blower outlet situated inside the lid.




When job is over, switch off (0) OFF and isolate the plug from the socket.

NOTE: When using the blower function ensure carbon filter is in position.

Connecting to Power Tools



CAUTION: Only use the power tool socket for purposes specified in the instructions. Auto-start socket to be used with a power tool of maximum 2200 watts (for 240V), 1000 watts, (for 115V) .

- To activate the power tool take off socket, put on/off switch dial to . When a tool is connected, the vacuum will automatically start as the tool is started.
- Connect the hose to the dust spout on the power tool using the hose spout and the stepped adapter if needed.



(0) OFF, switch off.



(1) ON, manually operated vacuuming.



Automatically operates connected power tool.

NOTE: When auto-start is used the vacuum cleaner starts automatically and continues to run for 5 seconds after the power tool has been turned off. At the end of the cycle, the filter shake function will be activated for about six seconds.



To clean the filter manually, set the selector to the symbol of the filter cartridge.

NOTE: An adequate ventilation rate (M) must be provided for when the outgoing air is circulated. Observe the respective national regulations.

After use, store vacuum cleaner carefully.

MAINTENANCE AND SERVICE

- Before any work on the vacuum cleaner itself, isolate from the power supply.
- For safe use and to ensure the appliance works properly, always keep the vacuum cleaner and ventilation slots clean.
- Wear a dust protection mask when maintaining and cleaning the vacuum cleaner.
- If the replacement of the power cable is necessary, this has to be done by a Service Agent in order to avoid a safety hazard.
- A dust-technical inspection is to be carried out at least once every year by the manufacturer or an instructed person, e.g. for damage of the filter, tightness against leakage of the vacuum cleaner and function of the control unit.
- For category M vacuum cleaners that were in contaminated environments, the exterior as well as all machine parts should be cleaned or treated with sealants.
- When performing maintenance and repair work, all contaminated components that cannot be cleaned satisfactory must be disposed of.
- Such components must be disposed of in impermeable plastic bags conforming with the valid national regulations for the disposal of such waste.

For maintenance on behalf of the user, the vacuum cleaner must be disassembled, cleaned and maintained as far as feasible, without causing a risk for the maintenance personnel or other persons. Prior to disassembly, the vacuum cleaner should be cleaned in order to prevent any risks. The room/enclosure in which the vacuum cleaner is disassembled should be well ventilated. Wear personal protective equipment during maintenance. After maintenance of the appliance, the maintenance area should be cleaned.

Cleaning

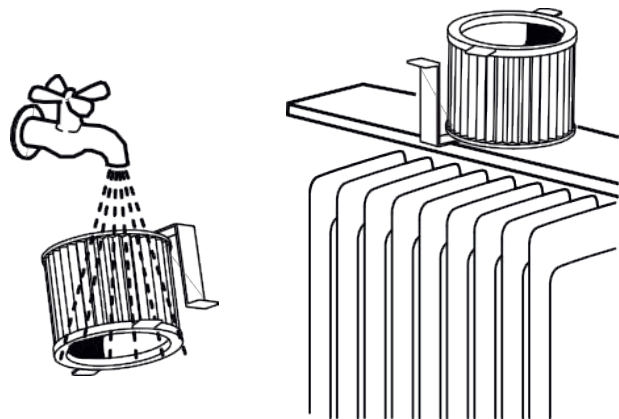


WARNING: Never use solvents or other harsh chemicals for cleaning the non-metallic parts of the appliance. These chemicals may weaken the materials used in these parts. Never let any liquid get inside the machine; never immerse any part of the appliance into a liquid.

- Vacuum the outside of the dust extractor. Clean the exterior part of the machine with a dry cloth.
- After use dispose of the cloth in an appropriate container.

Cartridge Filter

Cartridge filter should periodically be washed only externally under running water to avoid damage to the filter surface.



It is recommended however that this filter be replaced every six months, or in relation to the frequency of use and to the type of dirt.



WARNING: Once the filter has been cleaned, check whether it is suitable for further use. If it has been damaged or broken, replace it with an original filter.

Polyurethane Foam Filter

The polyurethane foam filter must be cleaned regularly by brushing and/or by washing with water and neutral detergent. It is also recommended that this filter be replaced regularly, depending on frequency of use and type of dirt.

Motor Outlet (Carbon) and Air Outlet (HEPA) Filters

These filters must be replaced regularly with new filters at least every six months, and in any case according to the type of dirt and frequency of use.

Careful cleaning, maintenance and replacement of filters are essential to guarantee:

- Maximum efficiency of the appliance.
- Reduction of dust returned to the environment.
- Optimal cooling of the motor.

WARNING: Do not clean these filters with water.

Lubrication

- Your appliance requires no additional lubrication.

Storage

- Empty the container.
- Clean the vacuum inside and outside, refer to the Cleaning section.
- Clean or replace filters, refer to the Filters section.
- To prevent back injuries, remove a full disposal collection bag, or drain vacuumed up fluid before transporting the vacuum cleaner.
- Wind the cable around the carrying handle and wrap suction hose around container.
- Carry the vacuum cleaner only by the carrying handle.
- Store appliance and accessories in a safe place.
- Place the unit and accessories in a dry room and secure it from unauthorised use. Store out of reach of children.

ENVIRONMENTAL PROTECTION

Recycle raw materials instead of disposing as waste.

Accessories and packaging should be sorted for environmental-friendly recycling.



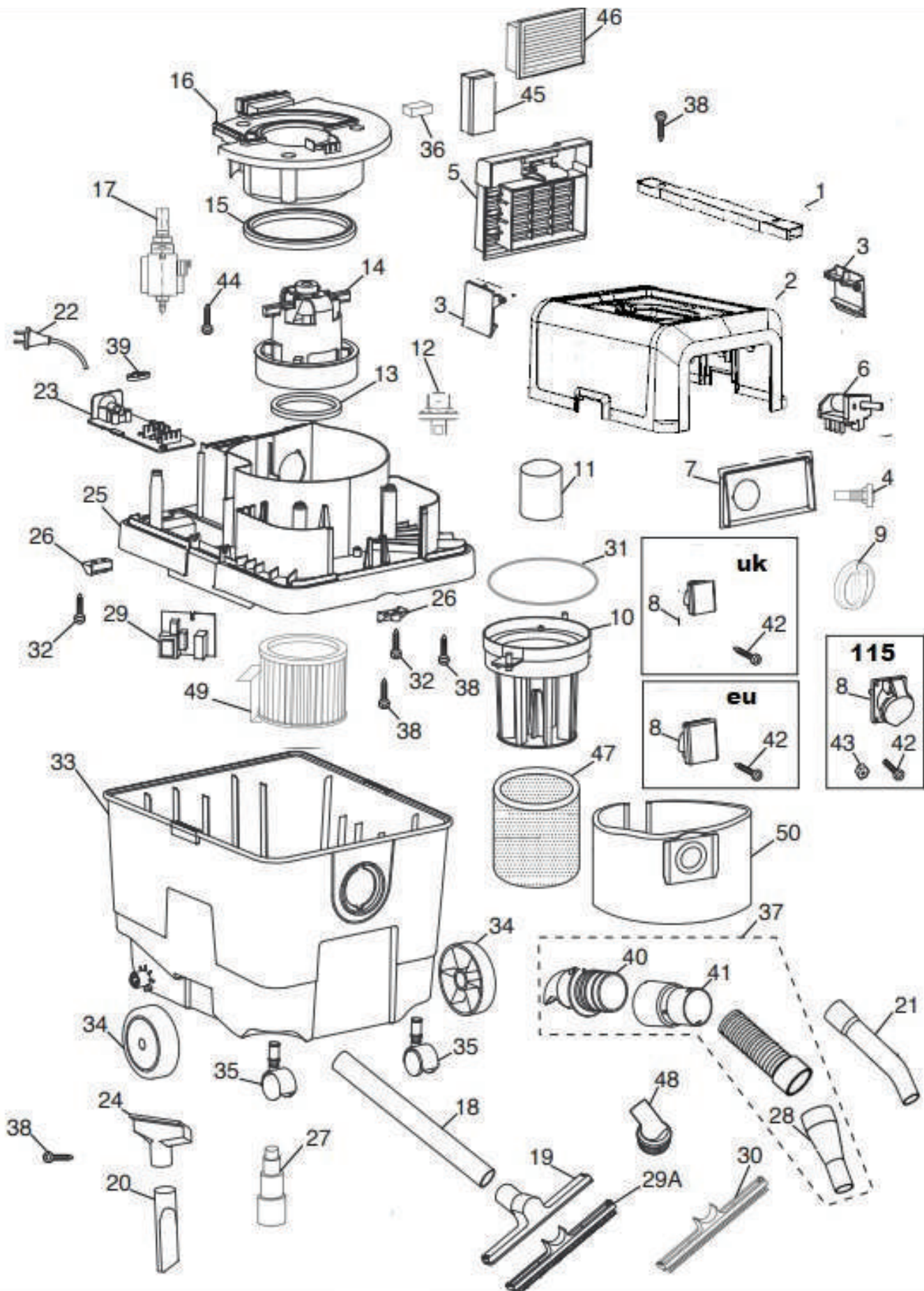
Separate collection. This product must not be disposed of with normal household waste.

ACCESSORIES

Please use only original accessories.

| PROBLEM | SOLUTION |
|---|--|
| Motor does not start | The ON/OFF switch is not activated. Power cable is not attached to power supply. Fuse of the plug has blown requiring replacement of fuse. |
| Suction capacity decreases. | Remove blockages in the suction nozzle, suction tube, suction hose or filters. Replace the paper collection bag. Check for proper installation of the filters. Clean or replace the filters. |
| Vacuum stops running. | <ol style="list-style-type: none">1. Turn the vacuum off and disconnect vacuum cleaner from power source.2. Empty the canister, if needed.3. Allow the unit to cool.4. Plug the power cable into an appropriate outlet and turn on/off switch to the ON position to test. If vacuum will not restart contact your seller or check the location of your nearest authorised Trend Service Agent on the website. |
| Dust comes out while vacuuming | Check for proper installation of the filters. Ensure filters are not damaged; replace if necessary. Ensure filter seals are in place and are secure. |
| No suction power during wet cleaning. | Container is full; float has closed the suction opening. Switch off cleaner and empty the tank. |
| Power tool does not turn on in AUTO mode. | The switch AUTO is not in position AUTO. Power tool is defective. Check that the power tool works or that the plug is inserted properly. |
| Airflow indicator light remains on. | Blockage or collection bag is full. Clear blockage or replace collection bag. |

STACKVAC



STACKVAC

| Pos. | Cod. | Q.ty | Description |
|------|-----------|------|---|
| 1 | VTM430 | 1 | Handle BE 30PP |
| 2 | VTM431 | 1 | Cover BE30 PP |
| 3 | VTM432 | 2 | Hinge BE30 PP |
| 4 | VTM433 | 1 | Led light BE 30 |
| 5 | VTM417 | 1 | Exhaust Grid BE 30 PP |
| 6 | VTM434 | 1 | Rotary switch BE 30 |
| 7 | VTM435 | 1 | Panel BE 30 |
| 8 | VTM436a | 1 | Power tool socket BE 30 -schuko |
| 8 | VTM436b | 1 | Power tool socket BE 30 -UK |
| 8 | VTM436c | 1 | Power tool socket BE 30 -110v |
| 9 | VTM437 | 1 | Knob BE 30 |
| 10 | VTM438 | 1 | Basket bid PP W. & D. |
| 11 | VTM439 | 1 | Float Bid W. & D. |
| 12 | VTM440 | 1 | Pressure switch BE 30 |
| 13 | VTM441 | 1 | Motor gasket CP2000/3000/4000 |
| 14a | VTM442a | 1 | Motor 110V |
| 14b | VTM442b | 1 | Motor 230V |
| 15 | VTM443 | 1 | Motor Gasket BE 30 W&D |
| 16 | VTM447 | 1 | Middle part BE 30 wet&dry |
| 17 | VTM448 | 1 | Vibration Pump |
| 18 | WND/1 | 2 | Extention tube Set |
| 19 | BIO324WD | 1 | FLOOR HEAD - 420MM WIDE Wet & Dry WITH WHEELS |
| 20 | VLX15 | 1 | Crevice Tool |
| 22a | I101505C | 1 | 110V Cable Set |
| 22b | I10.1605C | 1 | 240v Cable set |
| 23 | VTM470 | 1 | Cable plate BE 30 PP |
| 25 | VTM472 | 1 | Basament BE 30 PP |
| 26 | VTM473 | 2 | Bassket hold BE 30 PP |
| 27 | VTM103 | 1 | Tools adaptor |
| 29 | VTM474 | 1 | PCB 230Vor 110v |
| 31 | VTM471 | 1 | Float Cage gasket |
| 33 | VTM444 | 1 | Drum BE30 |
| 33 | VLX13 | 1 | Upholstery Tool |
| 34 | VTM487 | 2 | Wheel BE30 PP |
| 35 | VTM488 | 2 | Front wheel BE30PP |
| 36 | VTM475 | 1 | Anti rotation |
| 37 | VTM413 | 1 | Inlet air connection BE 300 PP |
| 39 | VTM449 | 1 | Gland BE 30 PP |
| 45 | VTM414 | 1 | Exhaust by pass filter |
| 46 | VTM404 | 1 | Exhaust filter H10 |
| 47 | VTVS7020L | 1 | Motor protection filter PPI 45 d. 100 X 125 |
| 49 | VTM402 | 1 | Cartridge filter M class |
| 50 | VTM401 | 2 | Bag with close |

V-TUF[®]

www.V-TUF.COM