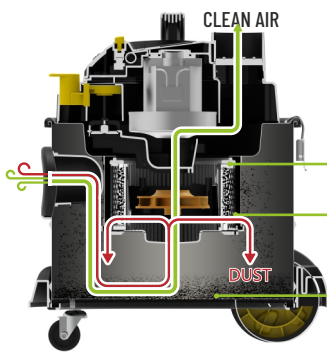
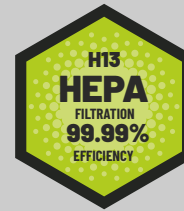
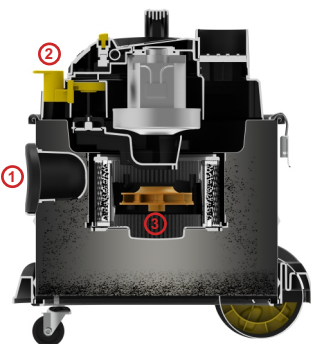


MINI HSV M CLASS



3 STAGE FILTRATION

- STAGE 3 FILTRATION:
3 LAYER HEPA FILTER
- STAGE 2 FILTRATION:
METAL MESH GRID
- STAGE 1 FILTRATION:
CYCLONE SEPARATES LARGE PARTICLES IN TANK



FILTER SHAKER

- 1 START MOTOR, BLOCK INTAKE VALVE
- 2 DEPRESS FILTER SHAKER BUTTON
- 3 THE ECCENTRIC GEAR ROTATES AND VIBRATES THE HEPA FILTER, SHAKING DUST LOOSE

